



INSTALLATION, OPERATION, & MAINTENANCE MANUAL



MV-100
MV-100C
MV-200
MV-200N
MV-200P
MV-201
MV-202
MV-300
MV-300P
MV-301
MV-302
MV-400
MV-400P
MV-401
MV-402
MV-600
MV-600P

CONTENTS

- Important Notes
- Installation Instructions, Wiring Diagrams, Dimensional Drawings
- Operation and Maintenance
- Warranty





IMPORTANT **NOTES**

MUST BE INSTALLED BY LICENSED ELECTRICIAN

**Safety First! Know Your Voltage!
Always Use a Volt Meter!**

- Breaker must be 'off' during installation. Do not install surge protective device with power 'hot'.
- Do not connect any two SPD wires to the same bus. The SPD may be damaged and warranty voided by improper connection.
- 30 inches of wire is provided for installation. Cut wires as short as possible and keep free of sharp bends. Sharp bends in the wire create impedance. For optimum performance, lead wires should be as short as possible and free of sharp bends.
- Do not add wire to the SPD. This will impair the performance of the SPD and will void the warranty. The SPD will perform best (faster response time) with the shortest wire length possible. Do not use wire nuts, kernies, etc. when installing SPD.
- Never install the SPD without utilizing mounting feet (unless recessed).
- Do not modify the SPD in any way. The SPD may be damaged and void the warranty.



INSTALLATION **INSTRUCTIONS**

- Read **Important Notes** before installing SPD. Breaker must be disconnected during installation.
- Mount SPD as close as possible to connection points, using mounting feet.
- Insert wires through knock-out and tighten with locknut.
- Cut wires as short as possible without straining or creating sharp bends to connect.
- Connect SPD lead conductors in accordance with wiring diagrams on page 4.
- Remove fuse(s) and turn power on. Light(s) should glow brightly.
- Disconnect power and replace fuse(s). Turn power on. Light(s) should remain off.

Technical Support

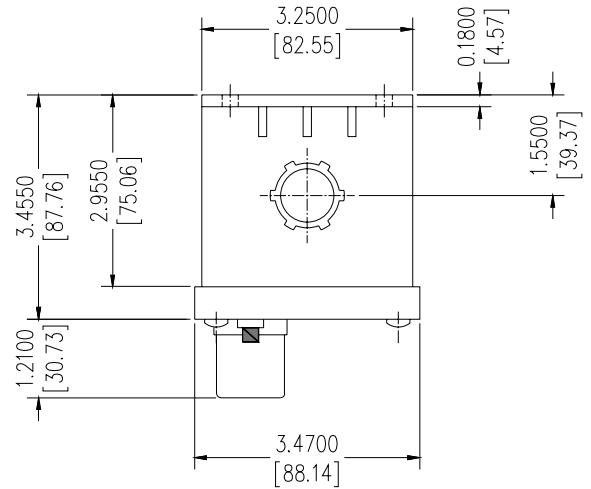
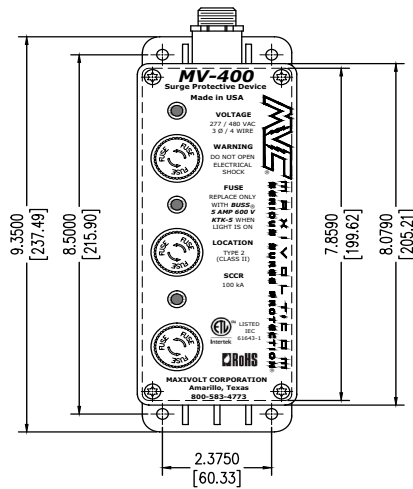
806.583.4773

Monday - Friday, 8:00 - 5:00 (CSD/CDT)

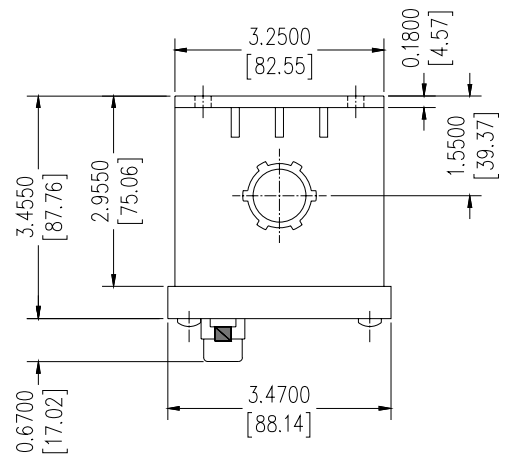
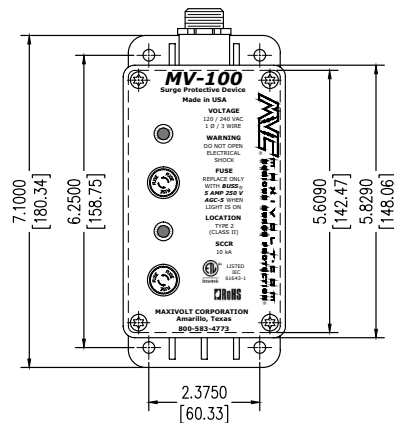


DIMENSIONAL DRAWINGS

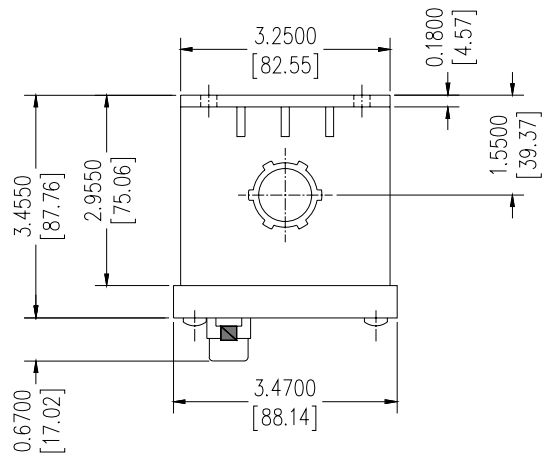
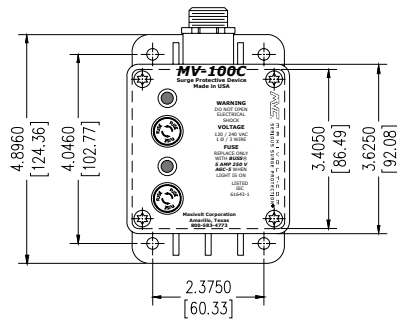
- MV-300**
- MV-300P**
- MV-400**
- MV-400P**
- MV-600**
- MV-600P**



- MV-100**
- MV-200**
- MV-200N**
- MV-200P**
- MV-302**



- MV-100C**
- MV-201**
- MV-202**
- MV-301**
- MV-401**
- MV-402**

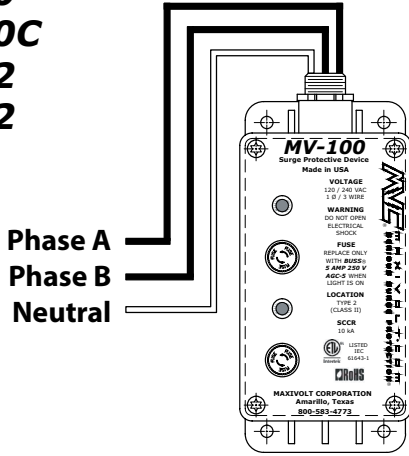


inches
 [mm]

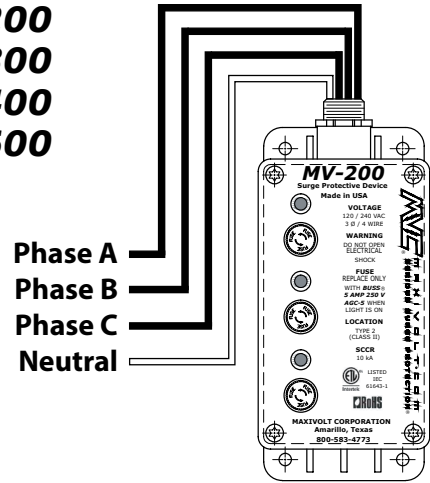


WIRING DIAGRAMS

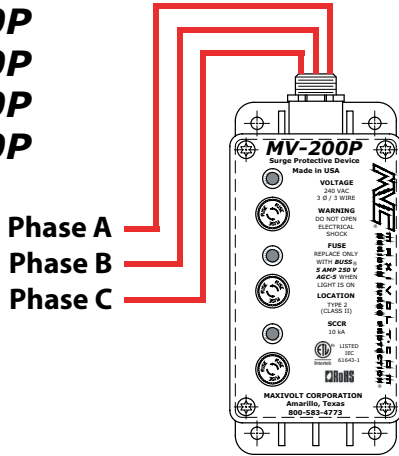
MV-100
MV-100C
MV-202
MV-302



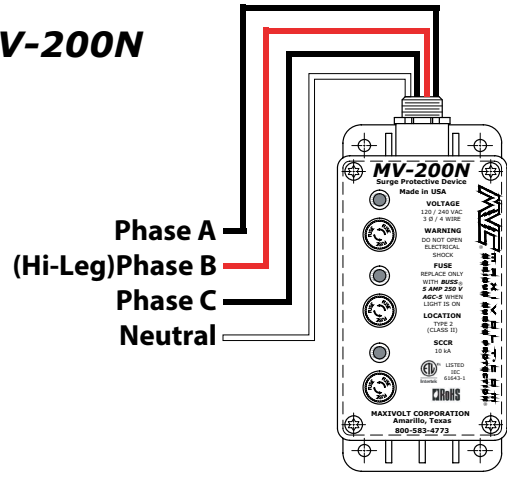
MV-200
MV-300
MV-400
MV-600



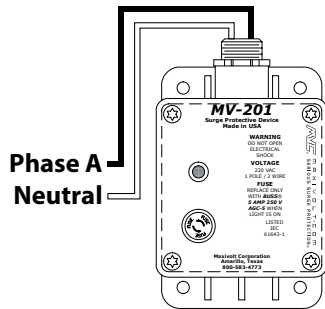
MV-200P
MV-300P
MV-400P
MV-600P



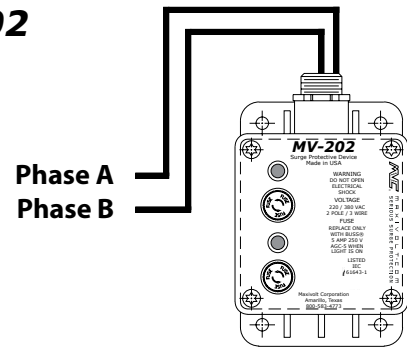
MV-200N



MV-201
MV-301
MV-401



MV-402





OPERATION & MAINTENANCE

Add the following to your routine inspection forms:

Visual Inspection

- Ensure the device has power. All lights on the faceplate of the device should be off.
- If a light is on, it indicates a blown fuse and/or internal component damage.
- If a light is on, disconnect power to the device and replace the fuse directly below the light that is on. It is imperative that you replace the fuse with the exact same fuse type, which is indicated on the faceplate of the device. Substituting a different fuse compromises the performance and Safety of the device. After replacing the blown fuse(s), energize the device. If the lights remain off, the device is operational, and no further action is required. If a light comes on, there is internal component damage. The device needs to be uninstalled and replaced.

TECHNICAL SUPPORT

800.583.4773

Monday - Friday, 8:00 - 5:00 (CSD/CDT)



WARRANTY

Five (5) Year Limited Warranty

MVC, Inc. warrants to the original consumer purchaser that the electrical component parts of this MV-Series Unit are free from defects in material and workmanship at the time of purchase under normal use and conditions. The term of this warranty begins on the purchase date and continues for a period of five (5) years.

In the event of a defect, or other failure of the MV Series Unit not caused by any misuse or damage to the MV Series Unit while in the possession of the consumer, MVC, Inc. will repair or replace the MV Series unit with a new or re-manufactured equivalent, or, at MVC, Inc.'s option, refund the purchase price. However, MVC, Inc. will not elect refund unless it is unable to provide replacement, and repair is not commercially practicable or cannot be made within a commercially reasonable time.

THE CONSUMER IS LIMITED TO THE REPAIR OR REPLACEMENT OF THE DEFECTIVE MV SERIES UNIT OR REFUND OF THE PURCHASE PRICE. THIS LIMITED WARRANTY REPRESENTS THE TOTAL LIABILITY OF MVC, INC. FOR ANY WARRANTED PART. MVC, INC. DISCLAIMS ANY OTHER EXPRESS OR IMPLIED WARRANTIES INCLUDING WARRANTIES OF MERCHANTABILITY OR FITNESS FOR A PARTICULAR PURPOSE. MVC, INC. SHALL NOT BE LIABLE FOR ANY INDIRECT, SPECIAL, INCIDENTAL, OR CONSEQUENTIAL DAMAGES. SOME STATES DO NOT ALLOW LIMITATIONS ON HOW LONG AN IMPAIRED WARRANTY LASTS, OR THE EXCLUSION OR LIMITATION OF INCIDENTAL OR CONSEQUENTIAL DAMAGES, SO THE ABOVE LIMITATION OR EXCLUSION MAY NOT APPLY TO YOU. THIS WARRANTY GIVES YOU SPECIFIC LEGAL RIGHTS, AND YOU MAY ALSO HAVE OTHER LEGAL RIGHTS, WHICH MAY VARY FROM STATE TO STATE.

This warranty does not cover: (1) installation, set-up, testing, or adjustment; (2) removal or reinstallation; (3) defects occurring after purchase due to improper installation, repair, modification, accident, tampering, misuse, abuse, or negligence; or (4) damage to the unit from fire, flood, or other catastrophe. This warranty is void if the rated capacity of the MV Series Unit is exceeded, if the MV Series has been opened or disassembled in any manner, or if the serial number of the MV Series Unit has been altered or removed. This warranty extends exclusively to the original purchaser of the MV Series Unit, and subsequent purchasers are not covered by this warranty agreement.

To obtain warranty performance, the consumer must deliver to MVC, Inc.: (1) the defective MV Series Unit; (2) a receipt, bill of sale, or other original evidence showing the date of purchase; and (3) the consumer's return address and daytime telephone number. If shipped, the MV Series Unit must be packaged so that it is protected from possible shipping damage, and should be addressed to: MVC, Inc., 800 S. Rusk, Amarillo, Texas 79106, attention Warranty Claim. To obtain information on warranty performance, call toll free: 1-800-583-4773. A Warranty Information Form should be filled out and included in the package containing the MV Series Unit. This form can be requested from MVC, Inc. at the toll free number listed above.



ABOUT

Established in 1988, Maxivolt is a pioneer in the power quality industry with over a century of combined experience. Maxivolt manufactures specialized technology and provides value-added services custom-tailored to extend the life and protect the operational integrity of electrical and electronic equipment. Averted equipment failures and misoperations result in numerous long-term financial and operational benefits.

For more information, contact Maxivolt:

800-583-4773

info@maxivolt.com

