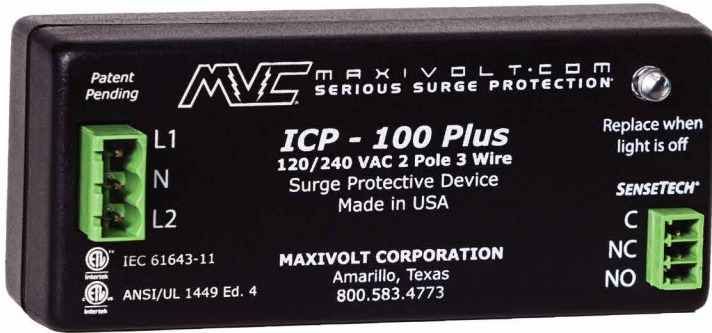




MAXIVOLT.COM
SERIOUS SURGE PROTECTION®



ICP - 100 Plus

120/240 VAC 2 Pole 3 Wire
Surge Protective Device

- Unmatched Protection Levels
- Phase Loss Monitoring
- SenseTech® Communication Options
- Form C Dry Contacts Standard
- Versatile and Simple Installation
- Built-in Safety Fusing
- Dual Listings - ANSI/UL 1449 Ed. 4 / IEC 61643-11
- Made in USA

The ICP Plus surge protective device provides ultra-sensitive, yet robust protection by intercepting and suppressing voltage impulses and other power quality anomalies that would otherwise cause electrical apparatus decay, malfunction, and failure. SenseTech® dry contacts provide options for monitoring phase loss and device status. A rigid mounting bracket allows for installation in a variety of locations.

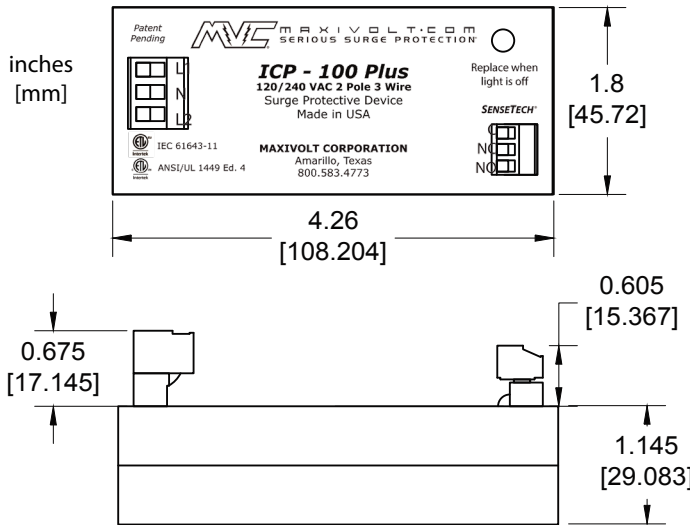


Patent Pending



Maxivolt ICP PLUS • Made in USA • Serious Surge Protection • Made in USA • Maxivolt ICP PLUS • Made in USA • Serious Surge Protection • Made in USA • Maxivolt ICP PLUS

ICP-100 Plus Surge Protective Device



Application

Voltage	120 / 240 VAC
Configuration	2 Pole / 3 Wire

Characteristics

Fusing	Internal
Visual Indication	Normally On Green LED
Alarm Indication	Form C Dry Contacts
Enclosure	NEMA® Type 1
Markings	Permanently Silk Screened

Certifications

Listing	ANSI/UL 1449 Ed. 4 / IEC 61643-11
Environmental	RoHS

Specifications

Modes of Protection	L-N, L-L
Type (Class)	4 (4)
Clamp Voltage L-N (L-L)	180 (360)
MCOV L-N (L-L)	140 (280)
Operating Temperature	-40° C to 85° C
Operating Humidity	1% to 95%
Filtering	UL 1283
EMI-RFI Noise Attenuation	< 40 db
Capacitance	1 µF / Line
Component Response Time	< 1 ps
Frequency Range	50 - 400 HZ
Dry Contact Rating AC	1A / 120 VAC
Dry Contact Rating DC	2A / 30 VDC

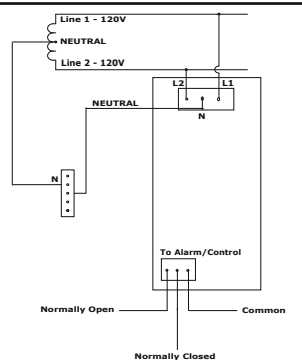
Standard Installation Summary

Install According To Instructions Provided With Device

1. Secure mounting bracket.
2. Connect Line 1 to ICP Plus terminal screw.
3. Connect Line 2 to ICP Plus terminal screw.
4. Connect Neutral to ICP Plus terminal screw.
5. Connect alarm/control contacts. (Optional)

For Optimum Performance:

1. Mount close as possible to connection points.
2. Minimize length of conductors.
3. Do not make sharp bends in conductors.



Maxivolt Corporation
800 South Rusk Street
Amarillo, Texas, USA

(806) 371-0722
(800) 583-4773
www.maxivolt.com